

Інструмент
не призначений
для професійного
використання.

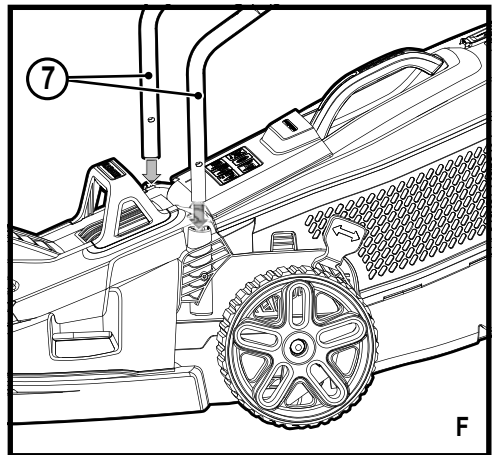
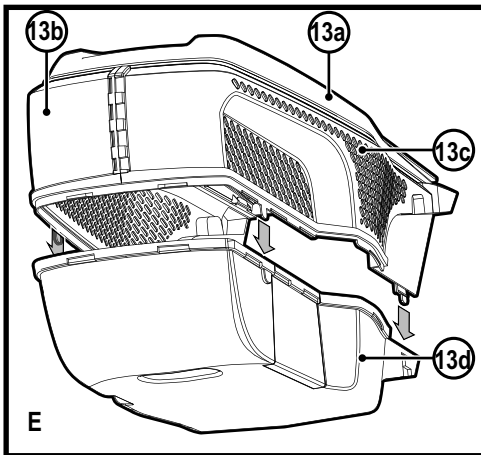
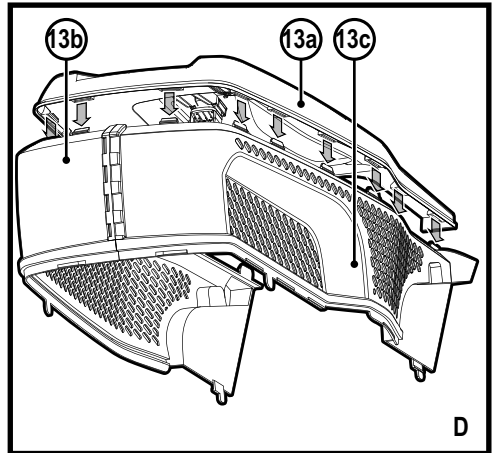
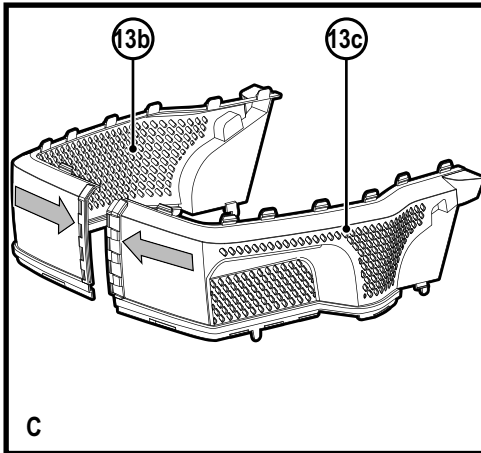
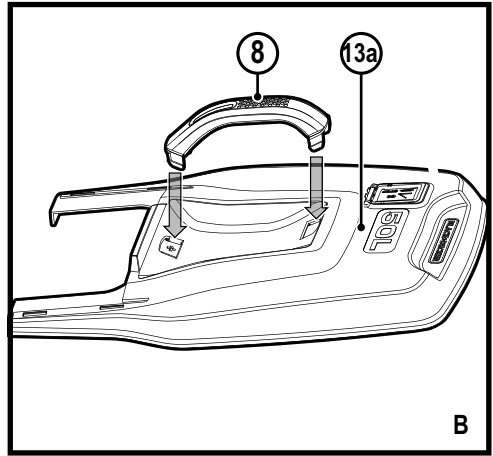
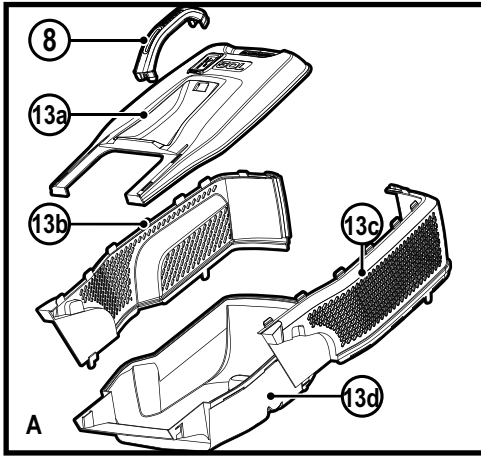
UK????

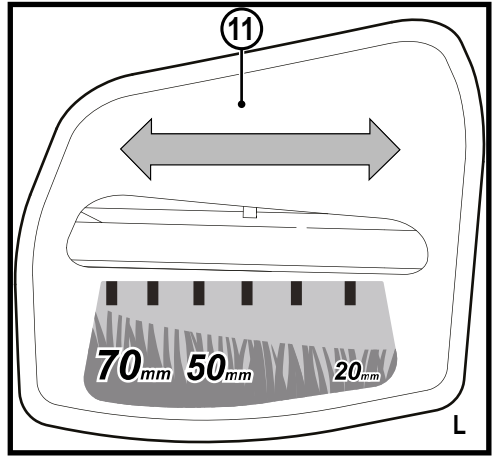
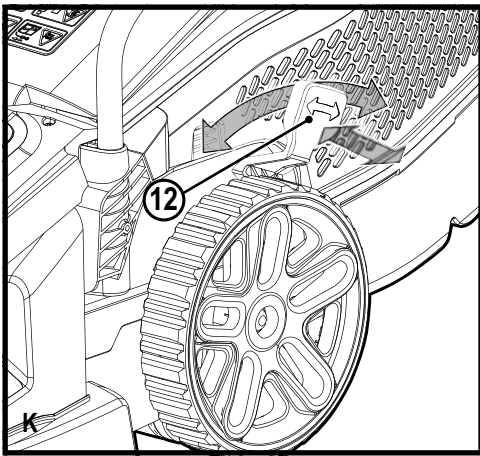
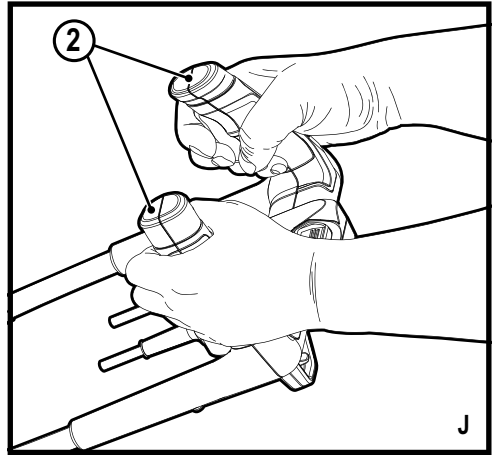
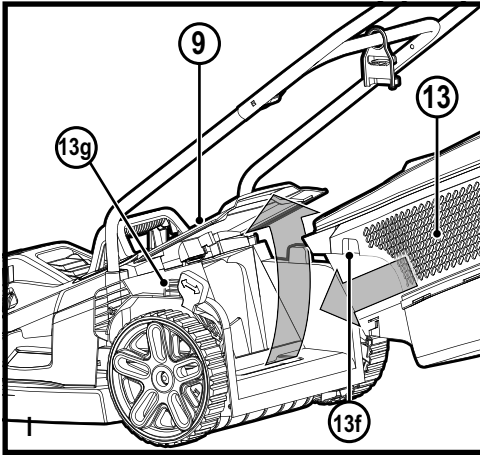
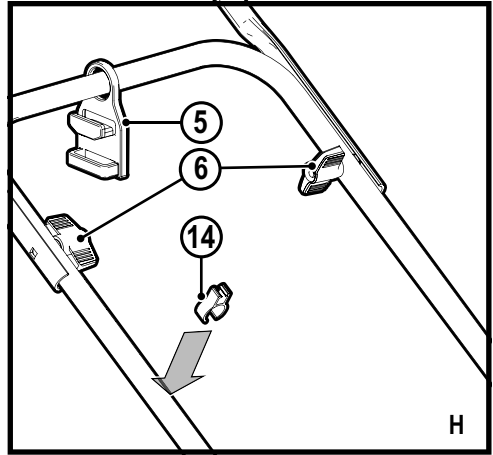
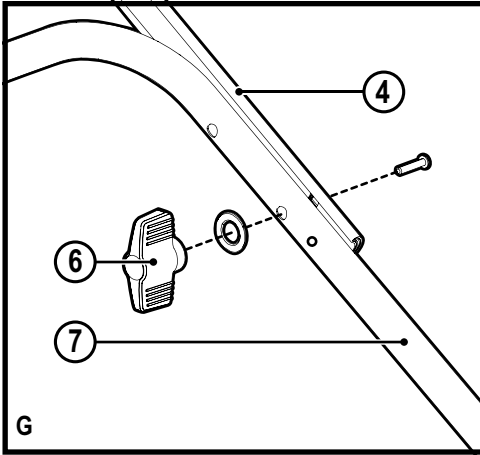
Переклад оригінальних інструкцій

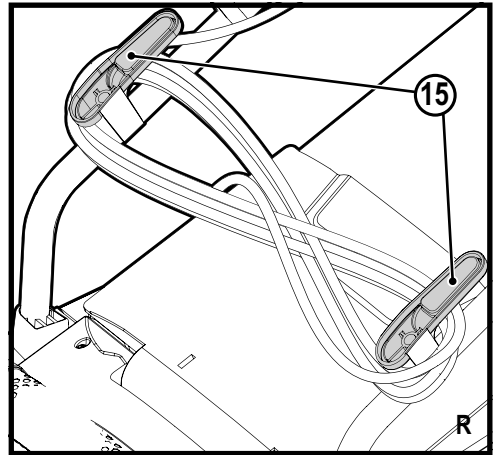
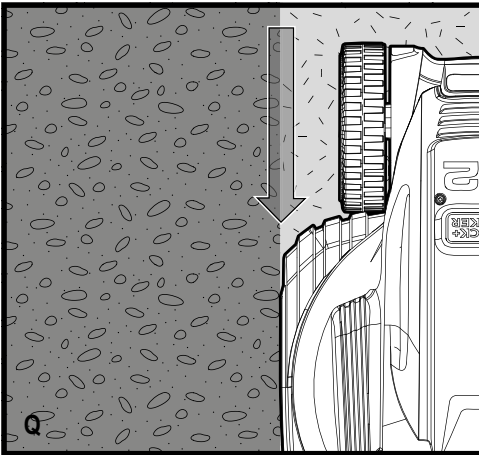
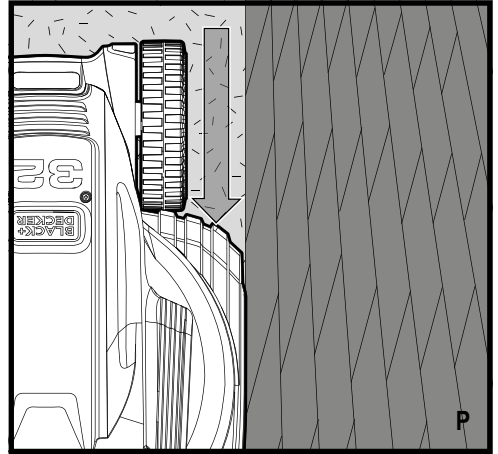
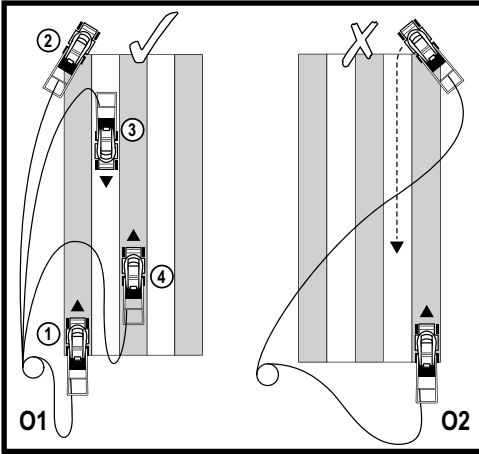
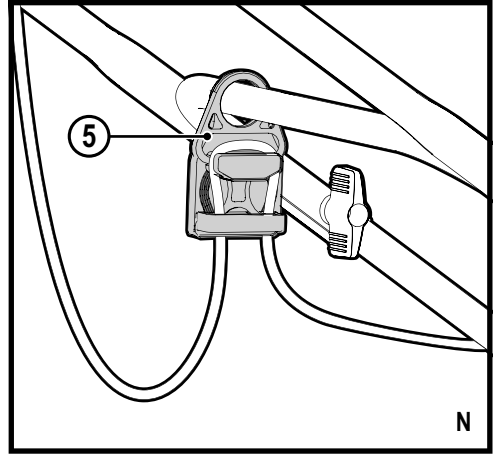
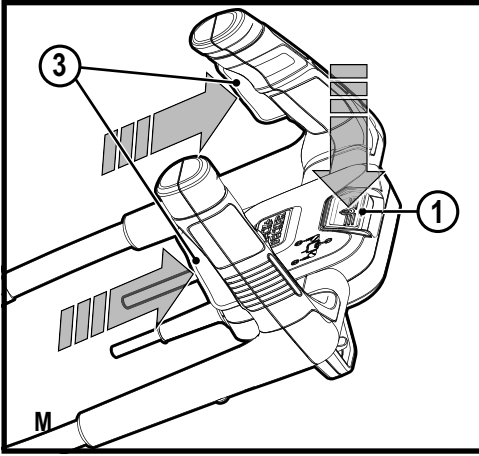
www.blackanddecker.eu

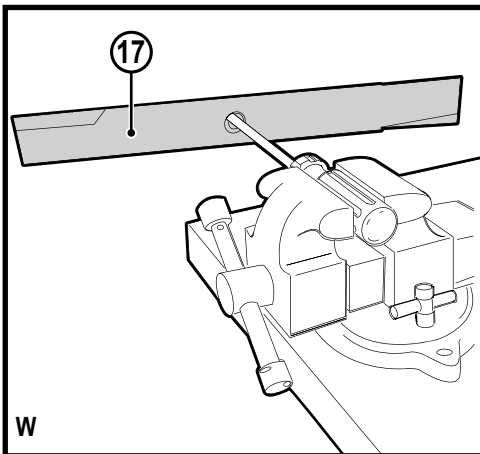
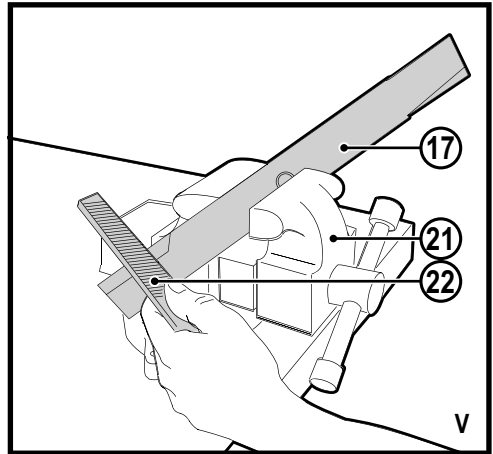
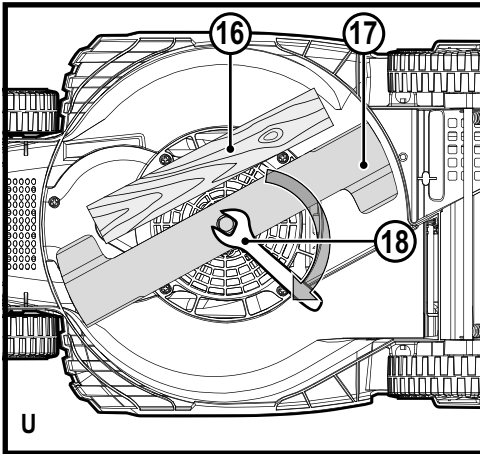
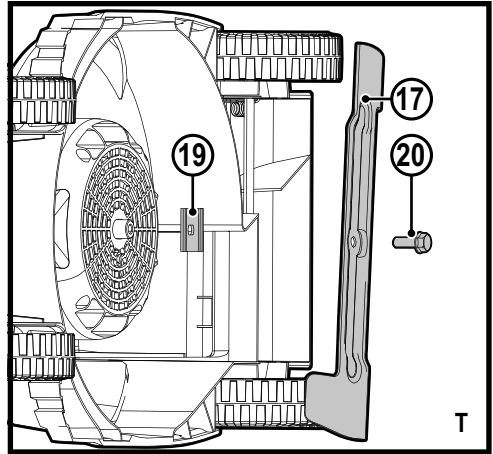
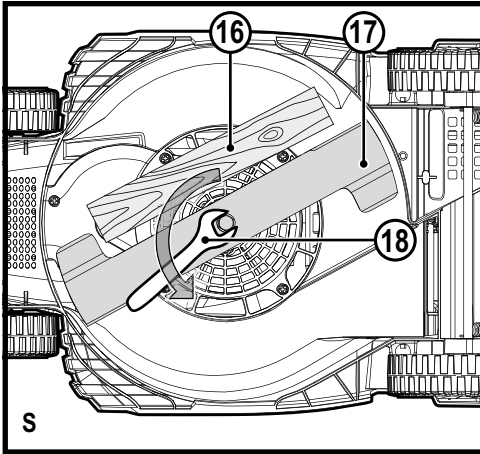
BEMW461BH
BEMW471BH
BEMW481BH

English (original instructions)	7
Українська (переклад оригінальних інструкцій)	21









Intended use

Your BLACK+DECKER BEMW461BH, BEMW471BH, BEMW481BH lawn mowers have been designed for mowing grass. These appliances are intended for consumer use only.

Safety instructions

Warning! When using mains-powered appliances, basic safety precautions, including the following, should always be followed to reduce the risk of fire, electric shock and personal injury.

- ◆ Read all of this manual carefully before using the appliance.
- ◆ The intended use is described in this manual. The use of any accessory or attachment or the performance of any operation with this appliance other than those recommended in this instruction manual may present a risk of personal injury.
- ◆ Retain this manual for future reference.

Training

- ◆ Read the instructions carefully. Be familiar with the controls and the proper use of the appliance.
- ◆ Never allow children or people unfamiliar with these instructions to use the machine. Local

regulations can restrict the age of the operator.

- ◆ Never operate the machine while people, especially children, or pets are nearby.
- ◆ Keep in mind that the operator or user is responsible for accidents or hazards occurring to other people or their property.

Preparation

- ◆ While operating the machine always wear substantial footwear and long trousers.
- ◆ Do not operate the machine when barefoot or wearing open sandals.
- ◆ Avoid wearing clothing that is loose fitting or that has hanging cords or ties.
- ◆ Thoroughly inspect the area where the machine is to be used and remove all objects which can be thrown by the machine.
- ◆ Before using, always visually inspect to see that the blade, blade bolt and the blade assembly are not worn or damaged. Replace worn or damaged components in sets

to preserve balance. Replace damaged or unreadable labels.

- ◆ Before use check the supply and extension cord for signs of damage or aging. If the cord becomes damaged during use, disconnect the cord from the supply immediately. **DO NOT TOUCH THE CORD BEFORE DISCONNECTING THE SUPPLY.**
- ◆ Do not use the machine if the cord is damaged or worn.
- ◆ Wear safety glasses or goggles when operating this tool.
- ◆ Use a face or dust mask whenever the operations take place in dusty surroundings. Hearing protection should be worn whenever the sound level seems uncomfortable.
- ◆ Guard against electric shock. Prevent body contact with earthed or grounded surfaces (e.g. metal railings, lampposts, etc.).

Operation

- ◆ Never operate the appliance with defective guards or shields, or without safety devices, for

example deflectors and/or grass catchers, in place.

- ◆ Only use the appliance in daylight or good artificial light.
- ◆ Do not expose the appliance to rain.
- ◆ Do not use the appliance in damp or wet conditions. Preferably do not use the appliance in wet grass.
- ◆ Be sure of your footing, particularly on slopes. Be aware that freshly cut grass is damp and slippery. Do not work on steep slopes.
- ◆ Work across the face of slopes, never up and down. Take extreme caution when changing direction on slopes.
- ◆ Do not mow excessively steep slopes.
- ◆ Walk, never run when using the appliance. Do not pull the appliance towards you or walk backwards when using the appliance.
- ◆ Switch on the appliance according to instructions and with your feet well away from the blade.

- ◆ Do not start the machine when standing in front of the discharge opening.
- ◆ Do not tilt appliance when switching it on, except if the appliance has to be tilted for starting.
- ◆ In that case, do not tilt the appliance more than absolutely necessary and lift only the part that is away from the operator. Always ensure that both hands are in the operating position before returning the appliance to the ground.
- ◆ Switch off the appliance and wait for the blade assembly to stop running if the appliance has to be tilted for transportation when crossing surfaces other than grass, and when transporting the appliance to and from the area to be mowed.
- ◆ Do not lift or carry the appliance until the blade has come to a complete standstill.
- ◆ Keep your hands and feet well away from the blade.
- ◆ Do not put your hands or feet near or under rotating parts.
- ◆ Keep away from discharge openings at all times.
- ◆ Switch off, remove the plug from the socket and ensure that moving parts have stopped rotating before leaving the appliance unattended and before changing, cleaning or inspecting any parts of the appliance or clearing a blockage. After striking a foreign object. Inspect the machine for damage and make repairs before restarting and operating the machine;
- ◆ If the appliance starts to vibrate abnormally or if you hit a foreign object, switch the appliance off and remove the plug from the socket. Check for any damage to the appliance, replace or repair any damaged parts, check for and tighten any loose parts.
- ◆ Take care to keep the mains cable away from the blade. Always be aware of the position of the cable.
- ◆ The motor will continue to run for a few seconds after switching the appliance off. Never attempt to force the blade to come to a standstill.

Maintenance and storage

- ◆ Before use, check the appliance for damaged or defective parts.
- ◆ Check for misalignment and seizure of moving parts, breakage of parts, damage to guards and switches and any other conditions that may affect its operation. Ensure that the appliance will operate properly and perform its intended function. Never use the appliance when any guard or enclosure is damaged or not in place. Do not use the appliance if any part is damaged or defective. Do not use the appliance if the switch does not turn it on and off.
- ◆ Have any damaged or defective parts repaired or replaced by an authorised repair agent.
- ◆ Check the cable frequently for damage. If the cable is damaged, it must be replaced by an authorised repair agent in order to prevent a hazard. Inspect extension cables periodically. Replace a damaged extension cable immediately.
- ◆ Keep all nuts, bolts and screws on the appliance tight to ensure a safe working condition.
- ◆ Check the grass collector for wear or damage and replace it if necessary.
- ◆ Never use the appliance without the grass collector.
- ◆ Be careful during adjustment of the machine to prevent entrapment of the fingers between moving blades and fixed parts of the machine.
- ◆ When servicing the blades be aware that, even though the power source is switched off, the blades can still be moved.
- ◆ When not in use, the appliance should be stored in a dry place. Children should not have access to stored appliances.
- ◆ Always allow the machine to cool down before storing.
- ◆ Ensure that only replacement cutting means of the right type are used.
- ◆ Use only BLACK+DECKER recommended spare parts and accessories.

Additional safety instructions for Lawnmowers

- ◆ Always use an approved extension cable suitable for the power input of this tool (see technical data). The extension cable must be suitable for outdoor use and marked accordingly. Up to 30 m of 1.5 mm² HO5VV-F extension cable can be used without loss of product performance.
- ◆ Before use, inspect the extension cable for signs of damage, wear and ageing. Replace the extension cable if damaged or defective. When using a cable reel, always unwind the cable completely.
- ◆ Do not transport the machine while the power source is running
- ◆ Firmly grip handle with both hands when operating the lawn mower.
- ◆ If at any time it is felt necessary to tilt the lawn mower, make sure that both hands remain in the operating position while the lawn mower is tilted. Keep both hands in the operating position until the lawn mower is returned to rest correctly on the ground.
- ◆ Never wear radio or music headphones while operating the lawn mower.
- ◆ Never attempt to make a wheel height adjustment while the motor is running or while the safety key is in the switch housing.
- ◆ If the lawn mower stalls, turn mower off, wait for blade to stop, before attempting to unclog the chute or remove anything from under the deck.
- ◆ Keep hands and feet away from cutting area.
- ◆ Keep blades sharp. Always use protective gloves when handling the lawn mower blade.
- ◆ If you are using the grass collector, check it frequently for wear and deterioration. If excessively worn, replace with a new grass collector for your safety.
- ◆ Use extreme caution when reversing or pulling the lawn mower towards you.

- ◆ Do not put hands or feet near or under the lawn mower.
Keep clear of the discharger opening at all times.
- ◆ Clear the area where the lawn mower is to be used of objects such as rocks, sticks, wire, toys, bones etc., which could be thrown by the blade.
Objects struck by the blade can cause severe injury to persons. Stay behind the handle when the motor is running.
- ◆ Do not operate the lawn mower barefooted or while wearing sandals.
Always wear substantial footwear.
- ◆ Do not pull lawn mower backward unless absolutely necessary. Always look down and behind before and while moving backward.
- ◆ Never direct discharged material toward anyone. Avoid discharging material against a wall or obstruction.
Material may ricochet back toward the operator.
Release the start handle to turn the lawn mower off and stop the blade when crossing gravel surfaces.
- ◆ Do not operate the lawn mower without the entire grass collector, discharge guard, rear guard, or other safety protective devices in place and working. Periodically check all guards and safety protective devices to ensure they are in good working order and will operate properly and perform their intended function.
Replace a damaged guard or other safety device before further use.
- ◆ Never leave a running lawn mower unattended.
- ◆ Always release the bail bar to stop the motor and wait until the blade comes to a complete stop before cleaning the lawn mower, removing the grass bag, unclogging the discharge guard, when leaving the lawn mower, or before making any adjustments, repairs or inspections.
- ◆ Operate lawn mower only in daylight or good artificial light when objects in the path of the blade are clearly visible from

the operating area of the lawn mower.

- ◆ Do not operate the lawn mower while under the influence of alcohol or drugs, or when you are tired or ill. Always stay alert, watch what you are doing, and use common sense.
 - ◆ Avoid dangerous environments.
 - ◆ Never operate the lawn mower in damp or wet grass, never use lawn mower in the rain. Always be sure of your footing, walk, never run.
 - ◆ If the lawn mower should start to vibrate abnormally, release the on/off switch, wait for the blade to stop and then check for the cause immediately. Vibration is generally a warning of trouble, see the troubleshooting guide for advise in the case of abnormal vibration.
 - ◆ Always wear proper eye and respiratory protection when operating the lawn mower.
 - ◆ The use of any accessory or attachment not recommended for use with this lawn mower could be hazardous. Only use accessories approved by BLACK+DECKER.
 - ◆ Never overreach while operating the lawn mower. Always be sure to keep proper footing and balance at all times while operating the lawn mower.
 - ◆ Mow across the face of slopes, never up and down. Exercise extreme caution when changing direction on slopes.
 - ◆ Watch for holes, ruts, bumps, rocks or other hidden objects. Uneven terrain could cause a slip and fall accident. Tall grass can hide obstacles.
 - ◆ Do not mow on wet grass or excessively steep slopes. Poor footing could cause a slip and fall accident.
 - ◆ Do not mow near drop-offs, ditches, or embankments.
 - ◆ You could lose your footing or balance.
 - ◆ Always allow the mower to cool down before storing.
- Pull the plug from the socket and pull the battery pack from the machine. Make sure that all moving parts have come to a complete stop:

- ◆ Whenever you leave the machine;
- ◆ Before clearing a blockage;
- ◆ Before checking, cleaning or working on the appliance.

Vibration

The declared vibration emission values stated in the technical data and the declaration of conformity have been measured in accordance with a standard test method provided by EN50636 and may be used for comparing one tool with another. The declared vibration emission value may also be used in a preliminary assessment of exposure.

Warning! The vibration emission value during actual use of the power tool can differ from the declared value depending on the ways in which the tool is used. The vibration level may increase above the level stated.

When assessing vibration exposure to determine safety measures required by 2002/44/EC to protect persons regularly using power tools in employment, an estimation of vibration exposure should consider,

the actual conditions of use and the way the tool is used, including taking account of all parts of the operating cycle such as the times when the tool is switched off and when it is running idle in addition to the trigger time.

Do not operate the tool if the vibration registers as abnormal.

Safety of others

- ◆ This appliance is not intended for use by persons (including children) with reduced physical, sensory or mental capabilities, or lack of experience and knowledge.
Unless they have been given supervision or instruction concerning use of the appliance by a person responsible for their safety.
- ◆ Children must be supervised to ensure that they do not play with the appliance.
- ◆ After striking a foreign object. Inspect the appliance for damage and make repairs as necessary.

Residual risks

Additional residual risks may arise when using the tool which may not be included in the enclosed safety warnings. These risks can arise from misuse, prolonged use etc. Even with the application of the relevant safety regulations and the implementation of safety devices, certain residual risks can not be avoided. These include:

- ◆ Injuries caused by touching any moving parts.
- ◆ Injuries caused by touching any hot parts.
- ◆ Injuries caused when changing any parts or accessories.
- ◆ Injuries caused by prolonged use of the appliance. When using any appliance for prolonged periods ensure you take regular breaks.
- ◆ Impairment of hearing.
- ◆ Health hazards caused by breathing dust developed when using your tool (example:- working with wood, especially oak, beech and MDF.)
- ◆ If operating the mower in a damp location is unavoidable, use

a residual current device (RCD) with a tripping current of not more than 30 mA.

- ◆ Use of an RCD reduces the risk of electric shock.
- ◆ Never pick up or carry an appliance while the motor is running.

Warning symbols

- ◆ The following warning symbols are found on the appliance along with the date code:



Warning! Read the manual prior to operation.



Do not expose the appliance to rain or high humidity.



Always remove the plug from the socket before inspecting a damaged cable. Be careful not to use your appliance if the cable is damaged.



Beware of sharp blades.



Beware of flying objects. Keep bystanders away from the cutting area.



Keep the cable away from the cutting blades.



The blades will continue to rotate after the machine is switched off.



Directive 2000/14/EC guaranteed sound power

Electrical safety



Warning! This tool is double insulated; therefore no earth wire is required. Always check that the power supply corresponds to the voltage on the rating plate.

- ◆ If the supply cord is damaged, it must be replaced by the manufacturer or an authorised BLACK+DECKER Service Centre in order to avoid a hazard.
- ◆ Electric safety can be further improved by using a high sensitivity 30 mA Residual Current Device (RCD).

Features

This appliance includes some or all of the following features.

1. Power button
2. Comfort grip handles
3. On/off switches
4. Upper handle

5. Cable management system (BEMW471, BEMW481 GB units only)
6. Handle knobs
7. Lower handle
8. Grass box handle
9. Rear flap
10. Carrying handles
11. Height adjustment gauge
12. Height adjustment lever
13. Grass box

Assembly

Warning! Before assembly, make sure that the appliance is switched off and unplugged.

Assembling the grass collection box (fig. A, B, C, D and E)

- ◆ The grass box requires assembly before use and comes in 5 pieces.
- ◆ Clip the handle (8) into the lid (13a) of the grass box (fig. B). The handle will only fit one way round.
- ◆ Clip the 2 sides (13b) and (13c) of the grass collection box together. Make sure that all clips and guides are aligned (fig. C).
- ◆ Align the lid (13a) onto the assembled grass collection box. Ensure that the 10 guides are aligned (fig. D)
- ◆ Align the assembled sides onto the bottom (13d) of the grass collection box. Ensure that the 4 guides are aligned (fig. E)
- ◆ Push the 2 parts together. Apply even force around all edges of the grass collection box securing the clips into position uniformly. Check that each clip is fastened together securely.

Fitting the lower handle (fig. F)

- ◆ Insert the ends of the lower handles (7) into the corresponding holes in the mower.
- ◆ Press the handle down as far as it will go.
- ◆ Secure the handle using the screws.

Assembling the upper handle (fig. G)

- ◆ Fit the upper handle part to the lower handle using the handle knobs (6), washers and screws as shown.

Securing the motor cable (fig. H)

- ◆ The motor cable has to be fixed using the cable restraint.
- ◆ Snap a restraint clip (14) around the cable and lower handle about 150mm below the handle knob (6).

Fitting the grass collection box (fig. I)

- ◆ Lift the flap (9) and place the grass collection box (13) ensuring the recesses (13f) fit over the lugs (13g).

Proper Hand Position (Fig. J)

Warning! To reduce the risk of serious personal injury, ALWAYS use proper hand position as shown.

Warning!: To reduce the risk of serious personal injury, ALWAYS hold securely in anticipation of a sudden reaction. Proper hand position requires one hand on each of the comfort grip handles (2).

Adjusting the height of cut (fig. K)

The height of cut is adjusted by the central height adjust mechanism, there are 6 positions to choose from.

- ◆ Pull the height adjustment lever (12) away from the body of the unit.
- ◆ Move the lever towards the rear of the appliance to lower the height of cut.
- ◆ Move the lever towards the front of the appliance to raise the height of cut.
- ◆ Push the height adjustment lever into one of the 6 height locations.

NOTE: The height of cut can be viewed on the height of cut gauge (11) on the side of the unit.

Switching on and off (fig. M)

Switching on

- ◆ Push the power button (1).
- ◆ Pull the left or right ON/OFF switch (3) towards the handle.

Switching off

- ◆ Release ON/OFF switches (3).

Warning! Never attempt to lock a switch in the on position.

Mowing (fig. N, O1 & O2)

We recommend to use your mower as outlined in this section in order to achieve optimum results and to reduce the risk of cutting the mains cable.

- ◆ Loop the extension cord through the cable management system (5) (BEMW471BH, BEMW481BH units only) as shown (Fig. N). Ensure you leave approximately 100mm of cord between the power switch (1) and the cable management system.
- ◆ Ensure that the cable management system (BEMW471BH, BEMW481BH units only) can slide freely from one side to the other.
- ◆ Place the bulk of the mains cable on the lawn, close to the starting point (position 1 in fig. O1).
- ◆ Switch the appliance on as described above.

- ◆ Proceed as shown in fig. O1
- ◆ Move from position 1 to position 2.
- ◆ Turn right and proceed towards position 3. The cable management system will slide from one side to the other, ensuring the extension cord is kept away from the cutting blade.
- ◆ Turn left and move towards position 4.
- ◆ Repeat the above procedure as required.

Warning! Do not work towards the cable as shown in fig. O2.

Up to edge cutting (fig. P, Q)

Up to edge cutting allows you to cut grass right up to the edge of a wall or fence (fig P).

Up to edge cutting allows you to accurately cut grass right up to the edge of your lawn (fig Q).

- ◆ With the lawnmower parallel with the edge of your lawn, push the lawnmower along the edge of the lawn. Ensure that the edge of mower is slightly over the edge of your lawn (fig.Q).

Cable tidy (fig. R)

- ◆ Cable tidy, stores cable when not in use. Only available on BEMW471BH & BEMW481BH GB units.

Removing Blade (Fig. S, T)

Note: BEMW461BH, BEMW471BH & BEMW481BH all use new winged blades which improves collection vs previous range of mowers. Blade accessories Cat # 34cm A6320 38cm A6321 42cm A6322.

Warning! Ensure the blade has completely stopped and disconnect the mower from the power source.

- ◆ Cut a piece of 2x4 wood (16) 305mm to keep blade from turning while removing flange nut.
- ◆ Turn the appliance onto its side. Wear gloves and proper eye protection. Be careful of sharp edges of blade.
- ◆ Position piece of wood (16) to keep blade from turning as shown in Fig. S.
- ◆ Use a 14mm wrench (18) to loosen and remove the blade bolt by turning counterclockwise.
- ◆ Pull off blade (17), blade insulator (19), as shown in Fig. T. Examine all pieces for damage and replace if necessary.

Installing Blade (Fig. U)

- ◆ Place blade insulator (19) then the blade (17) onto bolt shaft with the lettering on the blade facing out, and place the blade bolt (20) onto the bolt shaft.
- ◆ Tighten the blade bolt as firmly as possible by hand.
- ◆ Position piece of wood (16) to keep blade from turning as shown in Fig. U.
- ◆ Use a 14mm wrench to securely tighten the blade bolt by turning the wrench clockwise.

Blade sharpening

Keep blade sharp for best mower performance. A dull blade does not cut grass cleanly. Use proper eye protection while removing, sharpening, and installing blade. Sharpening the blade twice during a mowing season is usually sufficient under normal circumstances.

Sand causes the blade to dull quickly. If your lawn has sandy soil, more frequent sharpening may be required.

Note: Replace bent or damaged blade immediately.

When sharpening the blade:

- ◆ Make sure blade remains balanced.
- ◆ Sharpen blade at the original cutting angle.
- ◆ Sharpen cutting edges on both ends of blade, removing equal amounts of material from both ends.

To sharpen blade in a vice (fig. V)

- ◆ Be sure the blade has stopped and the mower is unplugged before removing the blade.
- ◆ Remove blade from mower. See instructions for removing and installing blade.
- ◆ Secure blade (17) in a vice (21).
- ◆ Wear proper eye protection and gloves and be careful not to cut yourself.
- ◆ Carefully file the cutting edges of the blade with a fine tooth file (22) or sharpening stone, maintaining the angle of the original cutting edge. Check balance of blade. See instructions for blade balancing.
- ◆ Replace blade on mower and tighten securely.

Blade balancing (fig. W)

Check balance of the blade (17) by placing centre hole in the blade over a nail or round shank screwdriver, clamped horizontally in a vice. If either end of the blade rotates downward, file along the sharp edge of that dropping end. Blade is properly balanced when neither end drops.

Lubrication

No lubrication is necessary. Do not oil the wheels. They have plastic bearing surfaces which require no lubrication.

Cleaning

Turn the mower off and let the blade come to a stop. Use only mild soap and a damp cloth to clean the mower. Clean out any clippings which may have accumulated on the underside of the deck. After several uses, check all exposed fasteners for tightness.

Preventing corrosion

Fertilizers and other garden chemicals contain agents which greatly accelerate the corrosion of metals.

If you mow in areas where fertilizers or chemicals have been used, the mower should be cleaned immediately afterward as follows:

Turn the mower off and unplug mower. Wipe all exposed parts with a damp cloth.

Maintenance

Your BLACK+DECKER corded/cordless appliance/tool has been designed to operate over a long period of time with a minimum of maintenance. Continuous satisfactory operation depends upon proper tool/appliance care and regular cleaning.

Warning! Before performing any maintenance on corded/cordless power tools:

- ◆ Switch off and unplug the appliance/tool.
- ◆ Or run the battery down completely if it is integral and then switch off.
- ◆ Unplug the charger before cleaning it. Your charger does not require any maintenance apart from regular cleaning.
- ◆ Regularly clean the ventilation slots in your tool/appliance and charger using a soft brush or dry cloth.
- ◆ Regularly clean the motor housing using a damp cloth. Do not use any abrasive or solvent-based cleaner.
- ◆ Regularly use a blunt scraper to remove grass and dirt from the underneath of the guard.

Troubleshooting

If your appliance seems not to operate properly, follow the instructions below. If this does not solve the problem, please contact your local BLACK+DECKER repair agent.

Warning! Before proceeding, release the bail bar to turn mower off and wait for the blade to stop.

Problem	Possible cause	Possible solution
Mower will not start.	Cord is not plugged in.	Plug mower into a working outlet.
	Circuit fuse is blown.	Replace circuit fuse. (If the product repeatedly causes the circuit fuse to blow, discontinue use immediately and have it serviced by an authorised BLACK+DECKER service center.
	Cord or switch is damaged.	Have cord or switch replaced at an authorised BLACK+DECKER service center.
	Grass too long.	Increase the height of cut and move machine to shorter grass to start.
Machine functions intermittently.	Thermal cut out activated.	Allow motor to cool and increase height of cut.
Machine leaves ragged finish or motor labours.	Height of cut too low.	Increase height of cut.
	Cutting blade blunt.	Replace the blade.
	Underside of machine clogged.	Check underneath the machine and clear out as necessary (always wear heavy duty gloves)
	Blade fitted upside down.	Refit blade correctly.

Technical data

		BEMW461BH	BEMW471BH	BEMW481BH
Voltage	V _{ac}	230	230	230
Power input	W	1400	1600	1800
No-Load speed	min ⁻¹	3500	3500	3500
Height adjustment	mm	20 - 70	20 - 70	20 - 70
Blade length	cm	34	38	42
Weight	Kg	13.53	15.17	17.47

Hand/arm weighted vibration value:
= 2.5m/s², uncertainty (K) = 1.5m/s².

Sound pressure level at the operator's ear:

LPA: 82dB(A); K= 2.1dB(A)

Sound power level LWA: 95dB(A); K= 1.3dB(A)

EC declaration of conformity
MACHINERY DIRECTIVE
OUTDOOR NOISE DIRECTIVE



BEMW461BH, BEMW461BH, BEMW471BH lawn mower

Black & Decker declares that these products described under "technical data" are in compliance with:

2006/42/EC, EN 60335-1:2012 + A11:2014,
EN 60335-2-77:2010

2000/14/EC, Lawn Mower, L < 50cm, Annex VI, DEKRA Certification B.V. Meander 1051 / P.O. Box 5185

6825 MJ ARNHEM / 6802 ED ARNHEM Netherlands.

Level of acoustic power according to 2000/14/EC (Article 12, Annex III, L < 50cm):

measured sound power level LWA: 95dB(A); K= 1.3dB(A).

guaranteed sound power level LWA: 96dB(A).

These products also comply with directive 2014/30/EU, 2011/65/EU. For more information, please contact Black & Decker at the following address or refer to the back of the manual.

Protecting the environment



Separate collection. Products and batteries marked with this symbol must not be disposed of with normal household waste.

Products and batteries contain materials that can be recovered or recycled, reducing demand for raw materials.

Please recycle electrical products and batteries according to local provisions. Further information is available at www.2helpU.com

The undersigned is responsible for compilation of the technical file and makes this declaration on behalf of Black & Decker.



R. Laverick
Director of Engineering
Black & Decker Europe, 210 Bath Road, Slough,
Berkshire, SL1 3YD
United Kingdom
31/10/2017

Guarantee

Black & Decker is confident of the quality of its products and offers consumers a 24 month guarantee from the date of purchase. This guarantee is in addition to and in no way prejudices your statutory rights. The guarantee is valid within the territories of the Member States of the European Union and the European Free Trade Area.

To claim on the guarantee, the claim must be in accordance with Black & Decker Terms and Conditions and you will need to submit proof of purchase to the seller or an authorised repair agent. Terms and conditions of the Black & Decker 2 year guarantee and the location of your nearest authorised repair agent can be obtained on the Internet at www.2helpU.com, or by contacting your local Black & Decker office at the address indicated in this manual.

Please visit our website www.blackanddecker.co.uk to register your new Black & Decker product and receive updates on new products and special offers.

Використання за призначенням

Газонокосарки BLACK+DECKER BEMW461BH, BEMW471BH, BEMW481BH призначені для підстригання трави. Ці пристрої призначені лише для побутового використання.

Інструкції з техніки безпеки

ОБЕРЕЖНО! Під час використання пристроїв з живленням від електричної мережі необхідно дотримуватись основних заходів безпеки, включно з, щоб знизити ризик виникнення пожежі, ураження електричним струмом та травм.

- ◆ Перед роботою з пристроєм уважно прочитайте цей посібник.
- ◆ У цьому посібнику описано використання за призначенням. Використання будь-якого приладдя насадок чи додаткового обладнання або виконання операцій з приладом, не описаних у цьому посібнику, може призвести до особистих травм.
- ◆ Зберігайте цей посібник для отримання інформації в подальшому.

Навчання

- ◆ Уважно прочитайте інструкції. Ознайомтесь із органами

управління та правилами відповідного використання пристрою.

- ◆ У жодному разі не дозволяйте дітям та особам, які не знають усіх інструкцій, використовувати цей пристрій. За місцевим законодавством може обмежуватися вік оператора пристрою.
- ◆ У жодному разі не використовуйте пристрій, коли поряд знаходяться інші люди, особливо діти, або домашні тварини.
- ◆ Пам'ятайте, що оператор або користувач несе відповідальність за нещасні випадки та небезпеку щодо інших людей або їхнього майна.

Підготовка до роботи

- ◆ Під час роботи з пристроєм завжди вдягайте міцні черевики та довгі штани.
- ◆ Не працюйте з інструментом босоніж та у відкритих сандалях.
- ◆ Уникайте вільного одягу, звисаючих поясів та краваток.

- ◆ Ретельно огляньте місце, де буде використовуватись пристрій, та приберіть всі предмети, які можуть бути відкинуті пристроєм.
 - ◆ Перед використанням інструмента завжди оглядайте його, щоб переконатися, що ніж гострий, а болти та кріпильні елементи ножа не мають ознак зносу та пошкодження. Замініть зношені та пошкоджені деталі у комплекті, щоб зберегти баланс. Замініть пошкоджені або нерозбірливі маркування.
 - ◆ Перед використанням огляньте кабель живлення та подовжувальний шнур на наявність ознак пошкодження та старіння. Якщо шнур пошкоджується під час використання, негайно від'єднайте його від електромережі. **НЕ ТОРКАЙТЕСЯ ШНУРА, ДОКИ ВІН НЕ ВІД'ЄДНАНИЙ ВІД ЕЛЕКТРОМЕРЕЖІ.**
 - ◆ Не використовуйте пристрій, якщо його кабель пошкоджений або зношений.
 - ◆ Використовуйте захисні окуляри під час роботи з інструментом.
 - ◆ Використовуйте маску для обличчя або респіратор під час роботи в пильному середовищі. Необхідно використовувати засоби захисту слуху, якщо рівень шуму є неприємним.
 - ◆ Захист від ураження електричним струмом. Уникайте контакту тіла із заземленими поверхнями (наприклад, металевими огорожами, опорами ліхтарів, тощо).
- ## Робота
- ◆ Ніколи не використовуйте пристрій із пошкодженими захисним кожухом або щитками, без захисних пристроїв, наприклад без дефлекторів та/або захватів для трави.
 - ◆ Використовуйте цей пристрій лише вдень або за умови доброго штучного освітлення.
 - ◆ Не допускайте перебування інструмента під дощем.

- ◆ Не використовуйте інструмент за умов підвищеної вологості. Бажано не використовувати пристрій на вологій траві.
- ◆ Стежте за стійким положенням ніг, особливо на схилах. Пам'ятайте, що скошена трава волога та слизька. Не працюйте, стоячи на нахиленій поверхні.
- ◆ Рухайтеся вздовж схилу, але за жодних обставин не вгору або вниз. Будьте особливо уважні під час зміни напрямку скошування на схилі.
- ◆ Не скошуйте траву на занадто крутому схилі.
- ◆ Під час використання пристрою рухайтесь повільно й в жодному разі не біжіть. Не тягніть пристрій на себе та не йдіть назад під час використання пристрою.
- ◆ Вмикайте пристрій відповідно до інструкцій, стежте, щоб ноги були подалі від ножа.
- ◆ Не вмикайте пристрій, коли ви стоїте напроти розвантажувального отвору косарки.
- ◆ Не нахилийте пристрій під час його вмикання за винятком випадків, коли його необхідно нахилити для запуску.
- ◆ У такому випадку не нахилийте пристрій більше, ніж це необхідно, та піднімайте лише ту частину, яка спрямована від оператора. Перед тим, як опустити пристрій на землю, переконайтеся, що обидві руки знаходяться в робочому положенні.
- ◆ Вимкніть пристрій та дочекайтеся зупинки ножа, якщо пристрій необхідно нахилити для переїзду через іншу поверхню, крім трави, а також під час транспортування пристрою з/до зони, яку потрібно підстригти.
- ◆ Не піднімайте та не переносьте пристрій, поки ніж повністю не зупиниться.
- ◆ Утримуйте руки та ноги на безпечній відстані від ножа.
- ◆ Не ставте руки або ноги поряд з рухомими деталями або під ними.

- ◆ Тримайтеся подалі від розвантажувальних отворів.
- ◆ Вимкніть пристрій, витягніть вилку з електричної розетки та переконайтеся, що рухомі деталі зупинились перед тим, як залишити пристрій без нагляду та почати заміну, очищення та огляд будь-яких деталей пристрою або усунення забивання. Після зіткнення зі стороннім предметом. Огляньте пристрій на наявність пошкоджень та відремонтуйте його перед повторним запуском та експлуатацією.
- ◆ Якщо пристрій починає занадто сильно вібрувати або якщо він зіткнувся із стороннім предметом, вимкніть пристрій та витягніть вилку з розетки. Огляньте пристрій на наявність пошкоджень, замініть або відремонтуйте пошкоджені деталі, перевірте міцність фіксації деталей.
- ◆ Забезпечте положення кабелю на безпечній відстані від ножа.

Слідкуйте за положенням кабелю при роботі.

- ◆ Електродвигун продовжує працювати кілька секунд після вимкнення пристрою. В жодному разі не намагайтесь силою зупиняти лезо.

Технічне обслуговування та зберігання

- ◆ Перед використанням перевірте пристрій на наявність пошкоджених деталей.
- ◆ Перевірте на наявність розрегулювання та заклинювання рухомих деталей, зламаних деталей, пошкоджених перемикачів, захисного кожуха та інших умов, що можуть вплинути на роботу. Переконайтеся, що пристрій працює правильно і виконує відповідні функції. Не використовуйте пристрій, якщо захисний кожух або огорожа пошкоджена або відсутня. Не використовуйте пристрій, якщо виявлено пошкодження або дефекти якоїсь деталі. Не

використовуйте пристрій, вмикач якого не вмикає та не вимикає його.

- ◆ Пошкоджені або дефектні деталі необхідно відремонтувати або замінити, звернувшись до авторизованого центру з ремонту.
- ◆ Часто перевіряйте кабель на наявність пошкоджень. Якщо кабель пошкоджено, то для уникнення небезпеки його потрібно замінити в офіційному сервісному центрі. Періодично перевіряйте подовжувальні кабелі. Відразу замінійте пошкоджений подовжувальний кабель.
- ◆ Для забезпечення незагрозливих робочих умов слідкуйте, щоб усі гайки, болти та гвинти на пристрої були добре затягнені.
- ◆ Перевіряйте травозбірник на наявність ознак зносу або пошкодження та замінійте його в разі потреби.
- ◆ Не використовуйте пристрій без травозбірника.
- ◆ Будьте уважні під час налаштування пристрою,

слідкуйте, щоб пальці не потрапили між рухомими ножами та нерухомими деталями пристрою.

- ◆ Під час обслуговування ножів пам'ятайте, що хоча джерело живлення вимкнене, ножі однаково можуть рухатися.
- ◆ Коли пристрій не використовується, його необхідно зберігати в сухому місці. Діти не повинні мати доступ до пристрою в місці зберігання.
- ◆ Перед тим, як поставити пристрій на зберігання, він повинен охолонути.
- ◆ Переконайтеся, що під час заміни використовуються ножі відповідного типу.
- ◆ Використовуйте лише запасні частини та комплектуючі, рекомендовані компанією BLACK+DECKER.

Додаткові інструкції з техніки безпеки для газонокосарок

- ◆ Завжди використовуйте відповідний подовжувальний кабель, що підходить для

споживаної потужності цього інструмента (див. технічні дані). Подовжувальний шнур повинен підходити для використання на вулиці та повинен мати відповідне маркування. До 30 м подовжувального шнура з площею перетину 1,5 мм² H05VV-F можна використовувати без втрати продуктивності роботи виробу.

- ◆ Перед використанням перевірте кабель на ознаки пошкодження, зносу та старіння. Замініть кабель, якщо він пошкоджений або має якісь дефекти. Під час використання кабельного барабану завжди витягуйте весь кабель.
- ◆ Не транспортуйте пристрій з підключеним джерелом живлення
- ◆ Під час використання газонокосарки міцно тримайте ручку обома руками.
- ◆ Якщо необхідно нахилити газонокосарку, обидві руки повинні залишатись у робочому положенні, коли вона нахилиється. Тримайте обидві руки в робочому положенні до того моменту, коли косарка повернеться в надійне положення на землі.
- ◆ У жодному разі не слухайте радіо або музику в навушниках під час використання газонокосарки.
- ◆ У жодному разі не намагайтесь відрегулювати висоту коліс, коли електродвигун увімкнений або захисний ключ знаходиться у корпусі перемикача.
- ◆ Якщо газонокосарку заїло, вимкніть її, зачекайте, поки ножі зупиняться та витягніть захисний, перш ніж намагатися прочистити лоток або витягнути щось з-під платформи.
- ◆ Утримуйте руки та ноги подалі від різальної області.
- ◆ Ножі повинні бути гострими. Завжди використовуйте захисні рукавиці під час роботи з ножами газонокосарки.
- ◆ Якщо ви використовуєте травозбірник для трави, часто перевіряйте його на наявність ознак зношення

та пошкодження. Якщо він надмірно зношений, замініть його на новий з міркувань безпеки використання.

- ◆ Будьте особливо уважні, коли повертаєте газонокосарку або тягнете її до себе.
- ◆ Не ставте руки або ноги поряд з газонокосаркою або під неї. У жодному разі не знаходьтеся навпроти отвору для вивантаження.
- ◆ Очистіть місце, де буде використовуватися газонокосарка, від таких предметів, як каміння, гілки, кабелі, іграшки, кістки тощо, які можуть бути відкинуті ножом. Такі предмети під час зіткнення з лезом можуть спричинити тяжкі ушкодження людині. Знаходьтеся за ручкою, коли двигун працює.
- ◆ Не використовуйте газонокосарку босим або у відкритому взутті. Завжди вдягайте міцне взуття.
- ◆ Не тягніть газонокосарку назад за винятком випадків, коли це абсолютно необхідно. Завжди

дивіться вниз та назад, перед та під час пересування назад.

- ◆ У жодному разі не спрямовуйте матеріал, що вивантажується, в бік інших людей. Уникайте вивантаження матеріалу в напрямку близько розташованої стіни або іншої перешкоди.

Матеріал, що вивантажується, може відскочити та потрапити в оператора.

Коли необхідно перейти через гравійне покриття, відпустіть ручку, щоб вимкнути газонокосарку та зупинити ніж.

- ◆ Не використовуйте газонокосарку без травозбірника, захисту отвору для вивантаження, заднього захисного кожуха та інших захисних пристроїв, які повинні бути встановлені на пристрій та знаходитись у справному стані. Періодично перевіряйте всі захисні кожухи та захисні пристрої, щоб упевнитися, що вони знаходяться у нормальному робочому стані та виконують відповідну функцію.

Перед використанням замініть пошкоджені захисні кожухи та інші захисні пристрої.

- ◆ В жодному разі не залишайте без нагляду газонокосарку, яка працює.
- ◆ Завжди відпускайте дужку, щоб зупинити електродвигун, та чекайте повної зупинки ножів, а також витягайте захисний ключ перед очищенням газонокосарки, знімаючи мішок для трави, усуваючи забивання захисту отвору для вивантаження, перш ніж залишити газонокосарку або перед виконанням будь-яких налаштувань, ремонту або огляду.
- ◆ Використовуйте газонокосарку лише вдень або за умов доброго штучного освітлення, коли всі предмети, що знаходяться на шляху ножа, добре видно з місця оператора газонокосарки.
- ◆ Не використовуйте газонокосарку, знаходячись під впливом алкоголю або наркотиків, а також якщо ви втомилися чи захворіли. Завжди будьте уважні, добре стежте за тим, що ви робите, та будьте розсудливі.
- ◆ Уникайте знаходження у небезпечному середовищі.
- ◆ У жодному разі не використовуйте газонокосарку на вологій або мокрій траві та під час дощу. Завжди зберігайте стійке положення ніг, рухайтесь повільно й в жодному разі не біжіть.
- ◆ Якщо газонокосарка починає занадто сильно вібрувати, відпустіть перемикач увімк/вимк, зачекайте, щоб ніж зупинився, а потім відразу спробуйте знайти причину вібрації. Вібрація зазвичай свідчить про якісь пошкодження, див. інструкції з пошуку та усунення несправностей у випадку занадто сильної вібрації.
- ◆ Під час використання газонокосарки завжди використовуйте належний захист очей та органів дихання.

- ◆ Використання будь-якого приладдя та додаткового обладнання, не рекомендованого до використання з цією газонокосаркою, є небезпечним. Використовуйте лише комплектуючі, схвалені компанією BLACK+DECKER.
- ◆ У жодному разі не намагайтеся дотягнутися занадто далеко під час роботи з газонокосаркою. Завжди підтримуйте правильне положення ніг та рівновагу під час роботи з газонокосаркою.
- ◆ Рухайтесь вздовж схилу, але за жодних обставин не вгору або вниз. Будьте особливо уважні під час зміни напрямку скошування на схилі.
- ◆ Уникайте ям, колій, горбиків, каменів та інших прихованих перешкод. Нерівна поверхня може стати причиною ковзання та падіння. Висока трава може ховати перешкоди.
- ◆ Не використовуйте косарку на вологій траві та занадто крутих схилах. Неправильне

положення ніг може стати причиною ковзання та падіння.

- ◆ Не використовуйте косарку біля обривів, канав або насипів.
- ◆ У таких місцях можна випадково втратити рівновагу.
- ◆ Перед тим, як поставити пристрій на зберігання, завжди давайте йому охолонути.

Витягніть вилку з розетки та витягніть акумуляторну батарею з пристрою. Переконайтесь, що всі рухомі частини повністю зупинились:

- ◆ щоразу, коли ви залишаєте пристрій;
- ◆ перед очищенням після забивання;
- ◆ перед перевіркою, очищенням або роботою над пристроєм.

Вібрація

Значення вібрації, вказані в технічних даних та в декларації про відповідність, виміряні з дотриманням стандартних методів тестування, наданих у EN50636, можуть використовуватися для порівняння одного інструмента

з іншим. Задекларовані значення вібрації можна також використовувати для попередньої оцінки впливу вібрації.

ОБЕРЕЖНО! Значення вібрації під час використання інструмента може відрізнятись від задекларованого залежно від способів використання інструмента. Рівень вібрації може перевищувати вказані значення.

Оцінюючи вплив вібрації для визначення заходів безпеки за вимогами 2002/44/ЕС, щоб захистити людей, які регулярно використовують електричні інструменти в роботі, необхідно враховувати реальні умови та способи використання інструмента, у тому числі всі періоди робочого циклу, наприклад час, коли інструмент вимкнено та коли він працює в режимі холостого ходу, а також час, потрібний для запуску інструмента.

Не експлуатуйте інструмент, якщо діапазон вібрації перевищує допустимі показники.

Безпека оточення

- ◆ Цей пристрій не призначений для використання особами (у тому числі дітьми) зі знизеними фізичними, сенсорними або розумовими можливостями або особами, яким бракує досвіду або знань. Винятком є випадки, коли такі особи працюють під наглядом або отримали інструкції щодо використання пристрою від особи, яка несе відповідальність за їхню безпеку.
- ◆ Потрібно стежити, щоб діти не гралися з інструментом.
- ◆ Після зіткнення із стороннім предметом. Огляньте пристрій на предмет наявності пошкоджень та в разі потреби відремонтуйте його.

Залишкові ризики

Під час використання інструмента можуть виникнути додаткові залишкові ризики, які не внесено до попереджень щодо техніки безпеки в цьому посібнику. Ці ризики можуть виникнути через неправильне

або надмірне використання тощо. Незважаючи на виконання всіх відповідних правил техніки безпеки та використання пристроїв безпеки, деяких залишкових ризиків уникнути неможливо. До них належать:

- ◆ травми через контакт з деталями, що рухаються;
- ◆ травми через контакт з деталями, що нагріваються;
- ◆ травми при заміні деталей або насадок;
- ◆ травми через занадто тривале використання пристрою. При використанні будь-якого інструменту протягом тривалого періоду часу не забувайте робити регулярні перерви;
- ◆ порушення слуху;
- ◆ небезпека для здоров'я через вдихання пилу, що утворюється при використанні інструмента (наприклад, при роботі з деревом, особливо з дубом, буком та ДВП);
- ◆ якщо експлуатація косарки в умовах підвищеної вологості

є неминучою, використовуйте пристрій захисного відключення (ПЗВ) із струмом спрацьовування не більшим за 30 мА;

- ◆ використання ПЗВ знижує ризик ураження електричним струмом;
- ◆ в жодному разі не підносьте та не переносьте пристрій з електродвигуном, який працює.

Попереджувальні символи

- ◆ Наведені нижче попереджувальні символи нанесені на пристрій разом в кодом дати.



ОБЕРЕЖНО! Прочитайте ці інструкції перед використанням.



Не залишайте інструмент під дощем та в умовах підвищеної вологості.



Завжди витягайте вилку з розетки перед оглядом пошкодженого кабелю. Не використовуйте пристрій, якщо його кабель пошкоджений.



Пам'ятайте про те, що леза є гострими.



Бережіться об'єктів, які летять. Тримайте сторонніх людей подалі від зони різання.



Тримайте кабель подалі від різальних ножів.



Ножі продовжують обертатися після вимкнення двигуна.



Гарантована звукова потужність відповідно до директиви 2000/14/ЕС.

Електрична безпека



ОБЕРЕЖНО! Цей зарядний пристрій має подвійну ізоляцію, тому заземлення непотрібне. Завжди перевіряйте відповідність джерела живлення напрузі, яка вказана на табличці з паспортними даними.

- ◆ Якщо шнур живлення пошкоджений, його необхідно замінити у виробника або в офіційному сервісному центрі

компанії BLACK+DECKER для уникнення небезпеки.

- ◆ Рівень електричної безпеки можна також підвищити, використовуючи високочутливий пристрій захисного відключення (ПЗВ) 30 мА.

Компоненти

Цей пристрій має всі або деякі з нижче перерахованих компонентів.

1. Кнопка електроживлення.
2. Ручки із зручним захватом.
3. Перемикачі увімк/вимк.
4. Верхня частина ручки.
5. Система кабельної укладки (лише моделі BEMW471, BEMW481 GB).
6. Гайки-баранчики ручки.
7. Нижня частина ручки.
8. Ручка травозбірника.
9. Задня відкидна кришка.
10. Ручки для перенесення.
11. Шкала регулювання висоти.
12. Важіль регулювання висоти.
13. Травозбірник.

Монтаж

ОБЕРЕЖНО! Перед монтажем переконайтеся, що інструмент вимкнено та вилка витягнута з розетки.

Збирання травозбірника (рис. А, В, С, D та Е)

- ◆ Перед використанням травозбірник необхідно зібрати, оскільки він постачається в розібраному стані з 5 частин.
- ◆ Затисніть ручку (8) на кришці (13а) травозбірника (рис. В). Ручку можна вставити лише однією стороною.
- ◆ З'єднайте та затисніть 2 боковини (13b) та (13c) коробки травозбірника. Переконайтеся, що всі фіксатори та напрямні вирівняні по відношенню одне до одного (рис. С).
- ◆ Сумістіть кришку (13а) із збіраною коробкою травозбірника. Забезпечте, щоб напрямні 10 були вирівняні (рис. D)

- ◆ Сумістіть зібрані боковини (13d) з дном коробки травозбірника. Забезпечте, щоб 4 напрямні були вирівняні (рис. E)
- ◆ Штовхніть 2 частини назустріч одна одній. Прикладайте рівномірне зусилля з усіх країв коробки травозбірника таким чином, щоб фіксатори спрацювали одночасно. Перевірте надійність фіксації кожної заціпки.

Встановлення нижньої частини ручки (рис. F)

- ◆ Вставте кінці нижньої частини ручки (7) у відповідні отвори в газонокосарці.
- ◆ Подайте ручку донизу до упору.
- ◆ Закріпіть ручку за допомогою гвинтів.

Монтаж верхньої частини ручки (рис. G)

- ◆ Встановіть верхню частину ручки на нижню частину ручки за допомогою гайок-баранчиків ручки (6), шайб та гвинтів, як показано на рисунку.

Фіксація кабелю електродвигуна (рис. H)

- ◆ Кабель електродвигуна слід зафіксувати за допомогою кабельного хомута.
- ◆ Застебніть кабельний хомут (14) навколо кабелю та навколо нижньої частини ручки на відстані приблизно 150 мм нижче гайки-баранчика ручки (6).

Монтаж коробки травозбірника (рис. I)

- ◆ Підніміть відкидну кришку (9) та встановіть коробку травозбірника(13), забезпечуючи, щоб виїмки (13f) опинились над виступами (13g).

Правильне положення рук (рис. J)

ОБЕРЕЖНО! Щоб знизити ризик серйозних травм, ЗАВЖДИ правильно розташуйте руки, як показано на рисунку.

ОБЕРЕЖНО! Щоб знизити ризик серйозних травм, ЗАВЖДИ міцно тримайте інструмент, щоб попередити випадкову віддачу.

Правильне положення рук полягає в тому, щоб обидві руки знаходились на ручках із зручним захватом (2).

Регулювання висоти різання (рис. K)

Висота різання регулюється за допомогою центрального механізму регулювання висоти, доступні 6 положень на вибір.

- ◆ Потягніть важіль регулювання висоти (12) у напрямку від корпусу пристрою.
- ◆ Подайте важіль у напрямку задньої частини пристрою, щоб зменшити висоту різання.
- ◆ Подайте важіль у напрямку передньої частини пристрою, щоб збільшити висоту різання.

- ◆ Штовхніть важіль регулювання висоти в одне з 6 положень висоти.

Примітка. Висоту різання можна побачити на шкалі висоти різання(11) на боковій стороні пристрою

Увімкнення та вимкнення (рис. M)

Увімкнення

- ◆ Натисніть кнопку електроживлення (1).
- ◆ Потягніть лівий або правий перемикач УВІМК/ВИМК (3) у напрямку до ручки.

Вимкнення

- ◆ Відпустіть перемикачі УВІМК/ВИМК (3).

ОБЕРЕЖНО! В жодному разі не намагайтесь заблокувати перемикач у увімкненому положенні.

Підрізання трави (рис. N, O1 та O2)

Ми рекомендуємо використовувати газонокосарку в спосіб, описаний в цьому розділі, для досягнення оптимальних результатів та зменшення ризику пошкодження мережевого кабелю.

- ◆ Пропустіть петлю подовжувального кабелю в систему організації кабелів та закріпіть її (5) (лише моделі ВЕМW471ВН, ВЕМW481ВН), як показано (рис. N). Переконайтесь, що ви залишили приблизно 100 мм кабелю між кнопкою живлення (1) та системою організації кабелів.
- ◆ Переконайтесь, що система кабельної укладки (лише моделі ВЕМW471ВН, ВЕМW481ВН) легко ковзає з однієї сторони на іншу.
- ◆ Покладіть бухту мережевого кабелю на газон поблизу місця, з якого планується почати роботу (положення 1 на рис. O1).
- ◆ Увімкніть пристрій, як описано вище.
- ◆ Рухайтесь, як показано на рис. O1
- ◆ Перейдіть з положення 1 в положення 2.
- ◆ Поверніть праворуч та рухайтесь в напрямку положення 3. Система кабельної укладки буде ковзати з одного боку на інший, забезпечуючи безпечну дистанцію між подовжувальним кабелем та ножем.
- ◆ Поверніть ліворуч та рухайтесь в напрямку положення 4.
- ◆ Повторіть вищеописану процедуру в разі потреби.

ОБЕРЕЖНО! Не рухайтесь в напрямку кабелю, як показано на рис. O2.

Підрізання трави впритул (рис. P, Q)

Функція підрізання впритул дозволяє підрізати траву впритул до стіни або паркану (рис. P).

Функція підрізання впритул дозволяє акуратно підрізати траву впритул до країв газону (рис. P).

- ◆ Після розташування газонокосарки паралельно краю газону, штовхайте газонокосарку вздовж краю газону. Край газонокосарки повинен трохи виходити за край газону (рис. Q).

Мотовило для намотування кабелю (рис. R)

- ◆ На мотовилі для намотування кабелю кабель зберігається тоді, коли пристрій не використовується. Доступно лише для моделей BEMW471BH & BEMW481BH GB.

Знімання ножів (рис. S, T)

Примітка. В моделях BEMW461BH, BEMW471BH та BEMW481BH використовуються ножі нової конструкції з крильцями, які краще збирають траву порівняно з попередньою лінійкою газонокосарок. Змінні ножі Cat # 34 см A6320 38 см A6321 42 см A6322.

ОБЕРЕЖНО! Переконайтесь, що ніж повністю зупинився, та від'єднайте газонокосарку від джерела живлення.

- ◆ Відріжте шматок бруска 2 × 4 (16) 305 мм, щоб запобігти повертанню ножа під час відкручування гайки фланця.
- ◆ Переверніть пристрій на бік. Використовуйте захисні рукавиці та відповідні засоби захисту очей. Будьте обережні з гострими краями ножа.
- ◆ Установіть шматок бруска (16) таким чином, щоб запобігти повертанню ножа, як показано на рис. S.
- ◆ Використовуйте ключ 14 мм (18), щоб ослабити та викрутити болт ножа, повертаючи його проти годинникової стрілки.
- ◆ Витягніть ніж (17), ізолятор ножа (19), як показано на рис. T. Огляньте всі деталі на предмет наявності пошкоджень та в разі потреби замініть.

Встановлення ножа (рис. U)

- ◆ Установіть ізолятор ножа (19), потім ніж (17) на шпindelь болта написом на ножі назовні та встановіть болт ножа (20) на шпindelь болта.
- ◆ Затягніть ніж вручну якомога міцніше.
- ◆ Встановіть шматок планки (16) таким чином, щоб запобігти повертанню ножа, як показано на рис. U.
- ◆ Використовуйте ключ 14 мм для того, щоб надійно затягнути ніж, повертаючи ключ за годинниковою стрілкою.

Гостріння ножа

Для оптимальної продуктивності газонокосарки тримайте ніж гострим. Тупий ніж не зрізатиме траву чисто. Використовуйте належні засоби захисту очей під час зняття, гостріння та встановлення ножа. Двічі загострюйте ніж протягом сезону скошування трави, цього має бути достатньо за нормальних умов використання.

Пісок призводить до швидкого затуплення леза. Якщо ваш газон посаджений на піщаному ґрунті, необхідно загострювати лезо частіше.

Примітка. Негайно замінійте зігнутий або пошкоджений ніж.

Гостріння ножа

- ◆ Забезпечуйте збереження балансування ножа.
- ◆ Загострюйте ніж таким чином, щоб зберегти кут первісної різальної кромки.
- ◆ Загострюйте різальні кромки з обох кінців ножа, знімаючи однакову кількість металу з кожного кінця.

Загострення ножа в лещатах (рис. V)

- ◆ Перед зняттям ножа переконайтесь, що ніж зупинився і газонокосарка відключена від мережі.
- ◆ Зніміть ніж з газонокосарки. Дивіться інструкції із зняття та встановлення ножа.
- ◆ Затисніть ніж (17) в лещатах (21).
- ◆ Використовуйте належні засоби захисту очей та рукавиці та будьте обережні, щоб не порізатись.
- ◆ Ретельно загостріть різальну кромку ножа дрібним напилком (22) або точильним каменем, зберігаючи кут первісної різальної кромки. Перевірте балансування ножа. Дивіться інструкції з балансування ножа.
- ◆ Установіть ніж на газонокосарці та надійно затягніть.

Балансування ножа (рис. W)

Перевірте баланс ножа (17), вставивши в центральний отвір ножа цвях або викрутку з круглим жалом, що закріплені в лещатах горизонтально. Якщо один з кінців ножа обертається донизу, зніміть метал вздовж гострої кромки сторони, яка нахилилась донизу. Ніж вважається належним чином збалансованим тоді, коли жоден з кінців не обертатиметься донизу.

Змащування

Пристрій не вимагає змащування. Не змащуйте колеса. Вони оснащені пластиковими підшипниками, що не вимагають змащування.

Очищення

Вимкніть газонокосарку та дочекайтесь, поки ніж повністю зупиниться. Використовуйте лише м'який мильний розчин та вологу ганчірку для очищення косарки. Очистіть нижню сторону косарки від обрізків трави, які могли там накопичитись. Після кількох використань перевіряйте затягнення всіх з'єднань.

Запобігання корозії

Добрива та інші хімічні сполуки, що використовуються в саду, містять речовини, що можуть збільшити ймовірність корозії металу.

Якщо ви скошуєте траву в місцях, де використовуються добрива та інші хімічні речовини, необхідно відразу після скошування очистити косарку наступним чином:

вимкніть газонокосарку та від'єднайте її від розетки. Протріть усі зовнішні поверхні вологою ганчіркою.

Технічне обслуговування

Ваш пристрій з кабелем або без нього виробництва компанії BLACK+DECKER призначений для роботи протягом довгого часу з мінімальним обслуговуванням. Тривала задовільна робота інструмента залежить від відповідного обслуговування інструмента/пристрою та регулярного очищення.

ОБЕРЕЖНО! Перед виконанням будь-якого технічного обслуговування електричного інструмента зі шнуром живлення або без нього виконайте наведене нижче.

- ◆ Вимкніть інструмент та відключіть його від мережі живлення.
- ◆ Повністю розрядіть акумулятор, якщо пристрій має вбудований акумулятор, а потім вимкніть інструмент.
- ◆ Витягніть зарядний пристрій з розетки перед очищенням. Зарядний пристрій не вимагає технічного обслуговування, лише необхідно проводити регулярне очищення.
- ◆ Регулярно очищуйте вентиляційні отвори інструмента/пристрою та зарядного пристрою, використовуючи м'яку щітку або суху ганчірку.
- ◆ Регулярно очищуйте корпус двигуна вологою ганчіркою. Не використовуйте абразивні очищувачі та засоби, що містять розчинники.
- ◆ Регулярно використовуйте тупий шкребок для видалення трави та бруду з-під захисного кожуха.

Пошук та усунення несправностей

Якщо вам здається, що пристрій працює невірно, виконайте інструкції, що наводяться нижче. Якщо вам не вдалося вирішити проблему, будь ласка, зверніться до сервісного центру компанії BLACK+DECKER.

ОБЕРЕЖНО! Відпустіть дужку, щоб вимкнути газонокосарку, та дочекайтесь повної зупинки ножа.

Проблема	Можлива причина	Можливе рішення
Газонокосарка не запускається	Шнур не підключений до мережі живлення	Підключіть газонокосарку до робочої розетки
	Спрацював мережевий запобіжник	Замініть мережевий запобіжник (якщо вибір повторно призводить до спрацювання мережевого запобіжника, негайно припиніть експлуатацію та відправте його на обслуговування в офіційному сервісному центрі BLACK+DECKER)
	Шнур живлення або вимикач пошкоджено	Виконайте заміну шнура живлення або вимикача в офіційному сервісному центрі BLACK+DECKER
	Трава зависока	Збільште висоту різання та перемістіть газонокосарку на ділянку, де трава нижче, і там розпочніть роботу
Машина працює переривчасто	Спрацював захист від перегрівання	Дайте електродвигуну охолонути та збільште висоту різання
Машина залишає за собою нерівний газон або електродвигун працює із надмірним зусиллям	Висота різання замала	Збільште висоту різання
	Затупився ніж	Замініть ніж
	Забивання з нижньої сторони машини	Перевірте нижню поверхню газонокосарки та очистіть її в разі потреби (завжди використовуйте міцні рукавиці)
	Ніж встановлений догори ногами	Зніміть ніж та встановіть його правильно

Захист навколишнього середовища



Роздільний збір. Пристрої та батареї, позначені цим символом, не можна викидати зі звичайним побутовим сміттям.

Пристрої та батареї містять матеріали, які можна відновити та переробити, що зменшить потребу в сировині.

Передавайте електричні інструменти та батареї на переробку відповідно до місцевих правил. Більш детальну інформацію можна отримати на сайті www.2helpU.com

Технічні дані

		ВЕМW461ВН	ВЕМW471ВН	ВЕМW481ВН
Напруга	В _{АС}	230	230	230
Споживана потужність	Вт	1400	1600	1800
Швидкість без навантаження	об/хв ⁻¹	3500	3500	3500
Регулювання висоти	мм	20–70	20–70	20–70
Довжина ножа	см	34	38	42
Маса	кг	13,53	15,17	17,47

Зважене значення вібрації, що передається на руки:
= 2,5 м/с², похибка (К) = 1,5 м/с².

Рівень звукового тиску біля вух оператора:
LPA: 82 дБ(А); K = 2,1 дБ(А).

Рівень звукової потужності LWA: 95 дБ(А); K = 1,3 дБ(А).

**Декларація про відповідність нормам ЄС
ДИРЕКТИВА ДЛЯ МЕХАНІЧНОГО ОБЛАДНАННЯ
ДИРЕКТИВА ПРО ШУМИ, ЩО ВИНИКАЮТЬ ПОЗА
ПРИМІЩЕННЯМИ**



Газонокосарка ВЕМW461ВН, ВЕМW461ВН, ВЕМW471ВН

Компанія Black & Decker заявляє, що продукти, описані в розділі «Технічні дані» відповідають:

2006/42/EC, EN 60335-1:2012 + A11:2014,
EN 60335-2-77:2010

2000/14/EC, газонокосарка, L < 50 см, Додаток VI, DEKRA Certification B.V. Meander 1051 / A. c. 5185

6825 MJ ARNHEM / 6802 ED ARNHEM Netherlands
(Нідерланди).

Рівень акустичної потужності відповідно до 2000/14/EC (Стаття 12, Додаток III, L < 50 см):
вимірюваний рівень звукової потужності LWA: 95 дБ(А);
K = 1,3 дБ(А).

гарантований рівень звукової потужності LWA: 96 дБ(А).

Ці продукти також відповідають вимогам Директив 2014/30/EU і 2011/65/EU. Для отримання додаткової інформації, будь ласка, зверніться до компанії Black & Decker за наступною адресою або прочитайте інформацію на зворотній стороні цього посібника.

Нижчепідписаний несе відповідальність за упорядкування файлу технічних характеристик та робить цю заяву від імені компанії Black & Decker.

Р. Лаверік (R. Laverick),

Технічний директор

Black & Decker Europe, 210 Bath Road, Slough,

Berkshire, SL1 3YD

United Kingdom (Великобританія)

31.10.2017

Гарантія

Компанія Black & Decker впевнена у якості своєї продукції та пропонує споживачам гарантію тривалістю 24 місяці з дати купівлі. Ця гарантія доповнює й жодним чином не обмежує ваші законні права. Ця гарантія є чинною на території країн-членів Європейського Союзу та в європейській зоні вільної торгівлі.

Позив за гарантією повинен відповідати умовам компанії Black & Decker, за такої умови вам необхідно буде надати доказ купівлі продавцю або спеціалісту офіційного сервісного центру. Умови 2-річної гарантії компанії Black & Decker та місцезнаходження найближчого до вас сервісного центру можна дізнатися в інтернеті на сайті www.2helpU.com або ж можна звернутися до місцевого представництва компанії Black & Decker за адресою, вказаною у цьому керівництві.

Будь ласка, відвідайте наш сайт www.blackanddecker.ua, щоб зареєструвати свій новий продукт Black & Decker та отримувати інформацію про нові продукти та спеціальні пропозиції.



Виробник:
"Stanley Black & Decker Deutschland
GmbH" Black-&-Decker Str.40, D-65510
Idstein, Німеччина



ГАРАНТІЙНИЙ ТАЛОН

2 РОКИ
ГАРАНТІЇ

1. Вітаємо Вас з покупкою високоякісного виробу Black+Decker і висловлюємо вдячність за Ваш вибір.
2. При покупці виробу вимагайте перевірки його комплектності і справності у Вашій присутності, інструкцію з експлуатації та заповнений гарантійний талон українською мовою. В гарантійному талоні повинні бути внесені: модель, дата продажу, серійний номер, дата виробництва інструменту; назва, печатка і підпис торгової організації. За відсутності у Вас правильно заповненого гарантійного талону, а також при невідповідності зазначених у ньому даних ми будемо змушені відхилити Ваші претензії щодо якості даного виробу.
3. Щоб уникнути непорозумінь, переконливо просимо Вас перед початком роботи з виробом уважно ознайомитися з інструкцією з його експлуатації. Правовою основою справжніх гарантійних умов є чинне Законодавство. Гарантійний термін на даний виріб складає 24 місяці і обчислюється з дня продажу. У разі усунення недоліків виробу, гарантійний строк продовжується на період його перебування в ремонті. Термін служби виробу становить 5 років з дня продажу.
4. У разі виникнення будь-яких проблем у процесі експлуатації виробу рекомендуємо Вам звертатися тільки в уповноважені сервісні центри Black+Decker, адреси та телефони яких Ви зможете знайти в гарантійному талоні, на сайті www.2helpU.com або дізнатися в магазині. Наші сервісні станції - це не тільки кваліфікований ремонт, але і широкий асортимент запчастин і аксесуарів.
5. Виробник рекомендує проводити періодичну перевірку і технічне обслуговування виробу в уповноважених сервісних центрах.
6. Наші гарантійні зобов'язання поширюються тільки на несправності, виявлені протягом гарантійного терміну і викликані дефектами виробництва та \ або матеріалів.
7. Гарантійні умови не поширюються на несправності виробу, що виникли в результаті:
 - 7.1. Недотримання користувачем приписів інструкції з експлуатації виробу, застосування виробу не за призначенням, неправильного зберігання, використання приладдя, витратних матеріалів і запчастин, що не передбачені виробником.
 - 7.2. Механічного пошкодження (відколи, тріщини і руйнування) внутрішніх і зовнішніх деталей виробу, основних і допоміжних рукояток, мережевого кабелю, що викликані зовнішнім ударним або будь-яким іншим впливом
 - 7.3. Потраплення у вентиляційні отвори та проникнення всередину виробу сторонніх предметів, матеріалів або речовин, що не є відходами, які супроводжують застосування виробу за призначенням, такими як: стружка, тирса, пісок, та ін.
 - 7.4. Впливу на виріб несприятливих атмосферних і інших зовнішніх факторів, таких як дощ, сніг, підвищена вологість, нагрівання, агресивні середовища, невідповідність параметрів електромережі, що зазначені на інструменті.
 - 7.5. Стихійного лиха. Пошкодження або втрати виробу, що пов'язані з непередбаченими лихами, стихійними явищами, у тому числі внаслідок дії непереборної сили (пожежа, блискавка, потоп і інші природні явища), а також внаслідок перепадів напруги в електромережі та іншими причинами, які знаходяться поза контролем виробника.
8. Гарантійні умови не поширюються:
 - 8.1. На інструменти, що піддавались розкриттю, ремонту або модифікації поза уповноваженим сервісним центром.
 - 8.2. На деталі, вузли та матеріали, що мають сліди природного зносу, такі як: приводні ремені і колеса, вугільні щітки, мастило, підшипники, зубчасті зчеплення редукторів, гумові ущільнення, сальники, направляючі ролики, муфти, вимикачі, бойки, штовхачі, стволи тощо.
 - 8.3. На змінні частини: патрони, цанги, затискні гайки і фланці, фільтри, ножі, шліфувальні підшви, ланцюги, зірочки, пильні шини, захисні кожухи, пилки, абразиви, пильні і абразивні диски, фрези, свердла, бури тощо
 - 8.4. На несправності, що виникли в результаті перевантаження інструменту (як механічного, так і електричного), що спричинили вихід з ладу одночасно двох і більше деталей і вузлів, таких як: ротора і статора, обох обмоток статора, веденої і ведучої шестерень редуктора або інших вузлів і деталей. До безумовних ознак перевантаження виробу відносяться, крім інших: поява кольорів млиновитості, деформація або оплавлення деталей і вузлів виробу, потемніння або обвуглювання ізоляції проводів електродвигуна під впливом високої температури.

Товар отриманий в справному стані, без видимих ушкоджень, в повній комплектації, перевірений у моїй присутності, претензій щодо якості товару не маю. З умовами гарантійного обслуговування ознайомлений і згоден.

П. І. Б. та підпис власника _____

Шановні клієнти, наша мережа авторизованих сервісних центрів постійно розширюється. Актуальну інформацію про обслуговування в місті, що цікавить вас, ви можете дізнатися на сайті

www.2helpU.com

Інформація про інструмент

Найменування інструменту	
Модель	
Найменування продавця	
Дата продажу	

М.П.
Продавця

Серійний номер/Дата виробництва

Інструмент	
Зарядний пристрій	
Акумулятор 1	
Акумулятор 2	

На сайті www.2helpU.com доступні наступні функції:

- Список авторизованих сервісних центрів
- Зручний пошук найближчого сервісного центру
- Керівництво з експлуатації
- Технічні характеристики
- Список деталей і запасних частин
- Схема складання інструменту



Також дану інформацію ви можете отримати,
зателефонувавши за номером:
0 (800) 211 521 в Україні

ВІДМІТКА ПРО ПРОВЕДЕННЯ СЕРВІСНОГО ОБСЛУГОВУВАННЯ

№1	№2	№3	№4
№ замовлення	№ замовлення	№ замовлення	№ замовлення
Дата прийому	Дата прийому	Дата прийому	Дата прийому
Дата ремонту	Дата ремонту	Дата ремонту	Дата ремонту
Печатка і підпис сервісного центру	Печатка і підпис сервісного центру	Печатка і підпис сервісного центру	Печатка і підпис сервісного центру